

# Calla Care Toilet Suite

KDK024



## Code

KDK024-Suite  
KDK024C-Cistern  
KDK024P- Pan

## Features

Bottom Inlet  
Easy Height Raised Box Rim Flush Pan  
4.5/3 Liters Dual Flush  
Size: 820\*350\*1180mm  
S-trap:290mm(Supplied)  
Care Single Flap Blue/Grey seat (Supplied)

## Optional

Blue/Grey press button

## Warranty

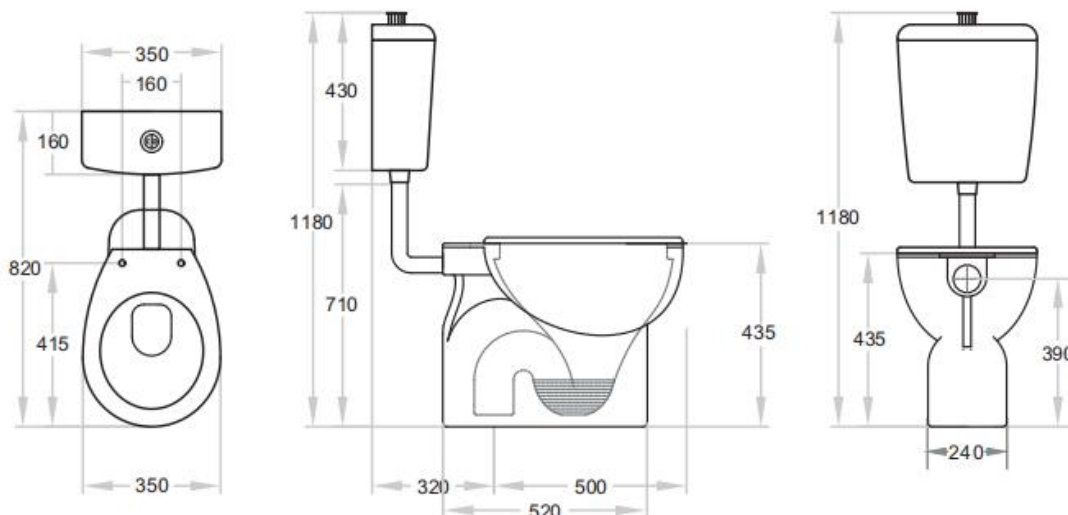
10 years replacement on ceramic  
1 year replacement parts which  
include toilet seat covers, flush pipes  
and buttons

3 years replacement on inlet or outlet  
valves.

Terms and conditions applied



AS 1172.11172.2  
License: MK022127



Dimensions are approximate. Information provided in this specification is representative of the actual products available at the time of printing.