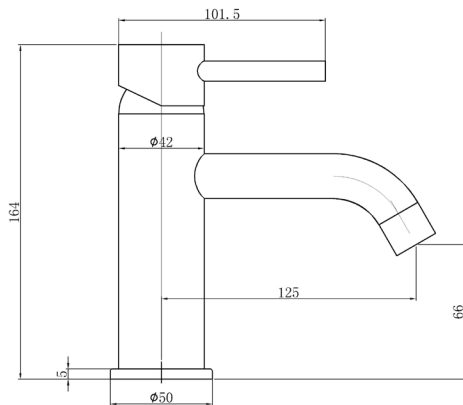


P&P



Otus Basin Mixer with Curved Spout

PC2006SB

Information

- Finish: Chrome
- Pin lever design
- 35mm cartridge
- Working pressure: 150-500kpa
- Operating temperature: 1°C to 70°C
- WELS: 5 Star 5.5L/min (T35596)

Maintenance and Care

- Do not use harsh detergents or products that contain chloride & halides.
- Do not use abrasive, cream or citrus based cleaners or hydrochloric acid.
- Surface should be cleaned only with a mild detergent that must be rinsed off.
- It is suggested to only clean with warm water and a soft cloth.
- Damage caused by the wrong cleaning methods used will void warranty.

Please visit <https://www.aclco.com.au/warranty.html> to view the full warranty